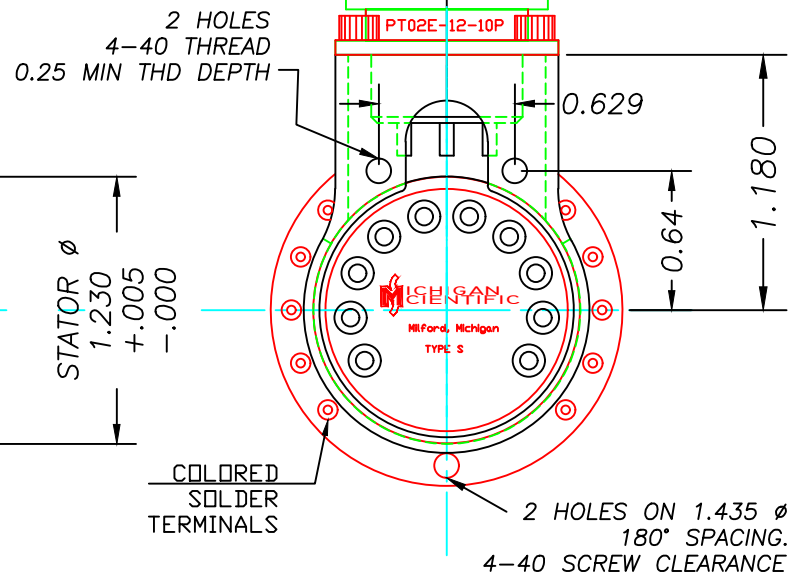
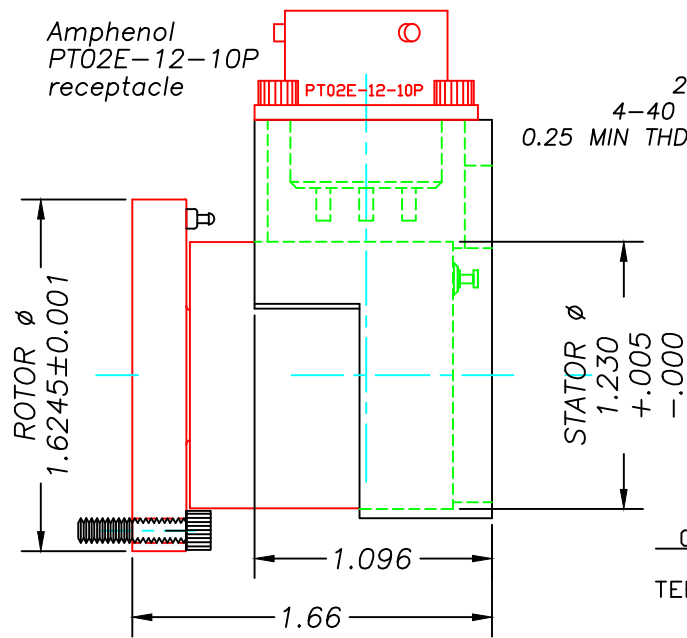
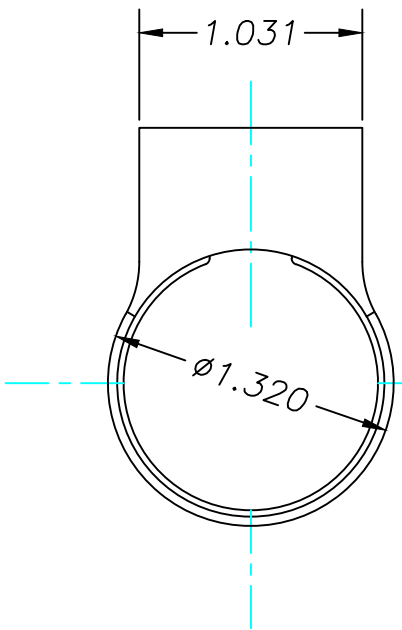
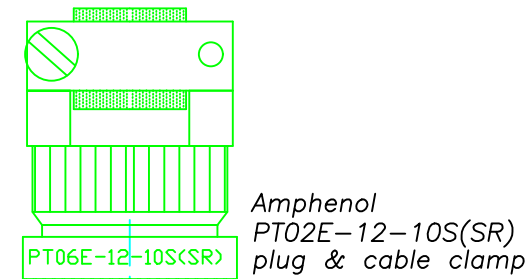
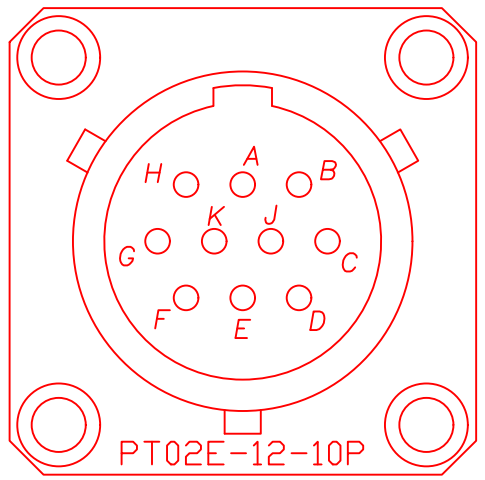


V8209220

| DATE | BY | REVISION | LDC. |
|----------|-----|---------------------|------|
| 8-16-16 | KDL | add more dimensions | |
| 10-11-22 | KDL | update information | |

| S8 TERMINAL COLOR | AMPHENOL CONNECTOR CONTACT | S10 TERMINAL COLOR |
|-------------------|----------------------------|--------------------|
| RED | A | BLACK |
| ORANGE | B | BROWN |
| YELLOW | C | RED |
| GREEN | D | ORANGE |
| BLUE | E | YELLOW |
| VIOLET | F | GREEN |
| GREY | G | BLUE |
| WHITE | H | VIOLET |
| | J | GREY |
| | K | WHITE |



TYPE S8 or S10

Connector bracket C574122B glued onto a S8 or S10 slip ring assembly
Most adhesives can be used, such as Hardman 4002 epoxy or a Loctite retaining compound.

MICHIGAN SCIENTIFIC CORPORATION
08500 ANCE ROAD
CHARLEVOIX, MI 49720
PHONE: (231)547-5511 FAX: (231)547-7070

| | | | |
|--|------------------------|--------------------------|-------------------|
| TOLERANCES XXXX ±--- XXX ±-- XX ±- X ± | DESIGNED BY: KDL | DATE: 1-23-03 | SCALE: 1:1 |
| ANGLES ±--° | DRAWN BY: S8 or S10 PT | TITLE: CONNECTOR BRACKET | SHT OF SHTS: SIZE |
| SURFACE FINISH ---RMS | CHECKED BY: | | AH |

DRAWING NO.: C226028A MATERIAL: ALUMINUM

W:\SLIPRINGS\S-SERIES\S8\C226028A.dwg, 11/11/2022 4:42:31 PM, kdarsen